

Guarantees & Liabilities

The guarantees in all cases are subject to the products being installed in accordance with British and or European standards as well as these fitting instructions. The guarantees in all cases are restricted to the free of charge replacement or repair of the failed product only. Our liability will under no circumstances extend beyond the repair or replacement of the product supplied by us. Claims for either labour in replacement or damage to property are not admissible. Any goods that are returned, in the event of a problem, will belong to the company.

Terms & Conditions

All products must be inspected once removed from the packaging and the company notified within 28 days of delivery of any scratches, blemishes or other damage. The company will then replace the radiator.

Imperfect radiators should therefore not be fitted and company will not accept responsibility for replacement of scratched or damaged radiators once they have been fitted. This includes any consequential loss or cost of fitting.

If the company are not notified within 28 days of the date on the signed delivery note then it will be deemed that the company have fully complied with its obligations and claims will not be considered.

Failure to comply with any of the above may invalidate any claims.

We recommend that after you check the product on delivery that it is stored in its packaging to prevent damage prior to installation. The company cannot accept responsibility for items damaged after delivery.

Please Note: this radiator can only be installed horizontally on the floor and cannot be installed in a bathroom. Please read these instructions and terms and conditions carefully prior to installation. Failure to do so may invalidate the warranty.

Technical Specifications:

Materials	Steel
Electrical Connection	5 amp fused fixed spur
IP rating	IP54
Testing authority	EN 60335-1 and EN 50366 + A1 (2006)
Max. working temperature	95°
Packaging	Encased in polystyrene, seated within a cardboard box

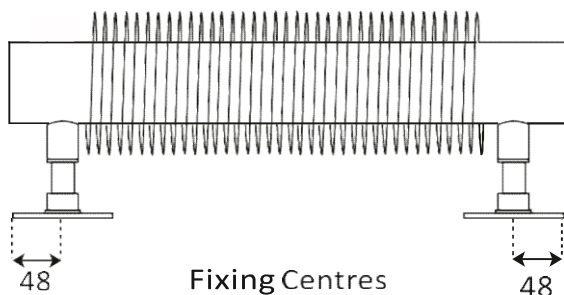
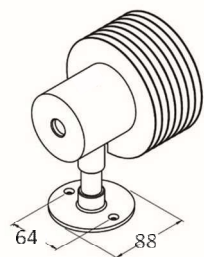


HOT FORM
ELECTRIC

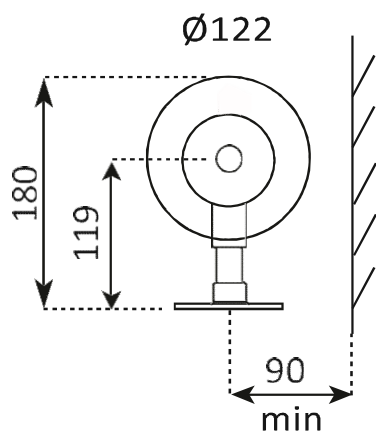


Fittings Instructions

Technical Drawings



Fixing Centres



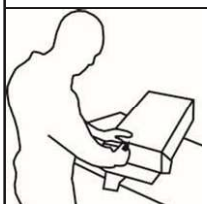
Watts

Height	Width	Watts @ 50°C
180	1015	500
180	1515	750
180	2015	1000

Unpack & Inspect

The company prides itself on manufacturing quality radiators. We only produce models with excellent standards of welding and brazing, as well as high quality finishes. All of our products are well packaged and should reach you in perfect condition. Just in case however, we offer a minimum 5-year guarantee for all radiators and towel rails, and 2 years on electrical elements.

The company must be notified of any shortages or damage within 28 days of delivery.



Contents

You should have:

- 1 Radiator

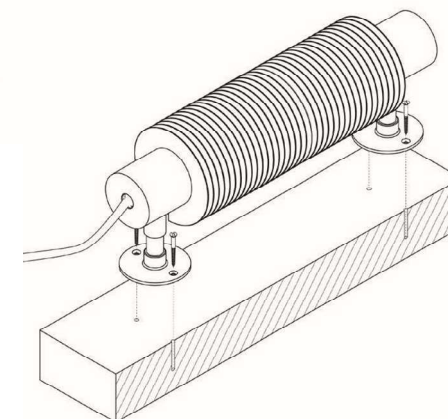
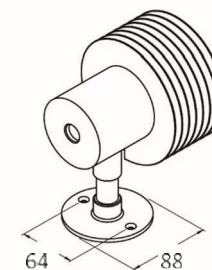
You will need:

- 6 Screws; 4mm dia x 60mm
- Tape measure
- Screwdriver
- Electric drill
- Suitable drill bit

Fit Radiator

- 1) Accurately mark out holes for mounting feet on the floor
- 2) Once marked out, drill four holes to suit screws
- 3) Fix radiator to floor with suitable screws and plugs.

The electric element should only be fitted by a qualified electrician to the I.E.T regulations.



Please Note

This radiator should only be fitted by a qualified electrician in accordance with the I.E.T wiring regulations.

This radiator is not suitable to fitted in a bathroom.